

Data Sheet for Wiper Seal A22

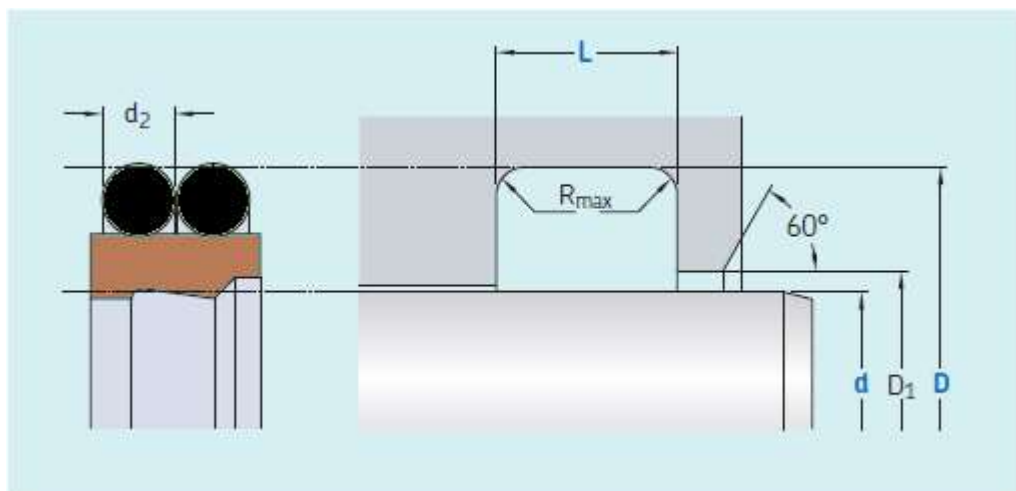
Technical Data

Speed: Up to 5 m/s

Temperature: Use in mineral oils: -30°C to + 200°C

Media: Mineral oil-based hydraulic fluids.

Seal Materials: APU+AR1, AF2+AR1, AF2+AR2.



Rod Dia range d mm	Groove OD D mm	Neck Diameter D_1 mm	Groove Length L mm	O Ring Dia. d_2 mm	R_{max} mm
10-30	$d+7.6$	$d+1$	4.2	1.78	0.4
30-80	$d+8.8$	$d+1.5$	6.3	2.62	1.2
80-120	$d+12.2$	$d+2$	8.1	3.53	2
120-250	$d+16$	$d+2$	11.5	5.33	2
250-600	$d+24$	$d+2.5$	15.5	6.99	2

Ordering example: Wiper A26 80 x 88.8 x 6.3 /AF2 + AR1