

## Data Sheet for Guide Ring F03

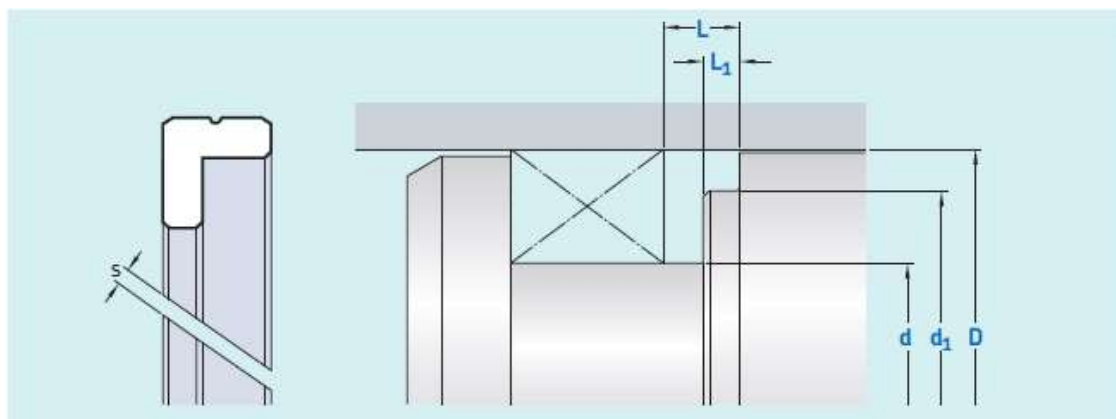
### Technical Data

Speed: Up to 1 m/s

Temperature: Use in mineral oils: -40°C to + 100°C

Media: Mineral oil-based hydraulic fluids.

Seal Materials: ATL,AF1,AF2.



Bore Dia range D mm	Groove OD d mm	Step Diameter d <sub>1</sub> mm	Groove Length L mm	Step Length L <sub>1</sub> mm
20-50	D-10	D-3	6.5	4
50-80	D-15	D-4	8	4
80-150	D-20	D-5	10.5	5.5
150-400	D-25	D-6	13.4	7
400-750	D-30	D-8	14.2	7

**Ordering example: Guide F03 80 x 60/75 x 5.5/10.5/ATL**