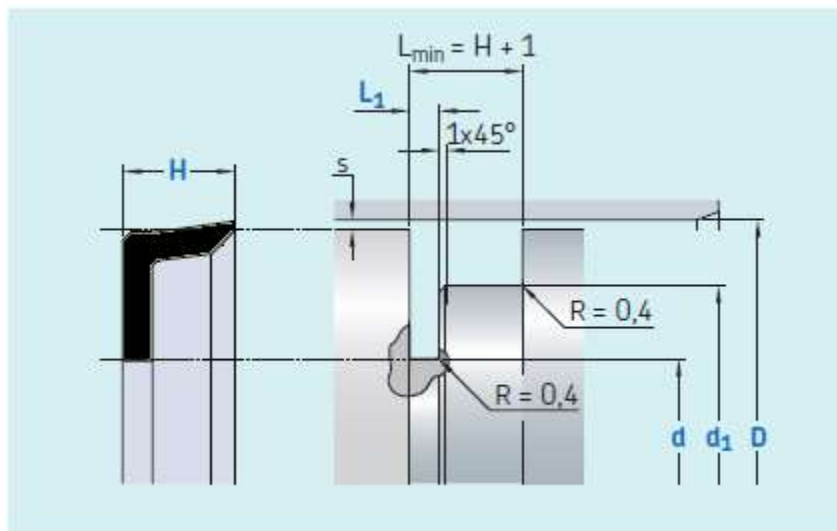


Data Sheet for Piston Seal K16

Technical Data

Seal Materials	Max. Operating Temp °C	Pressure MPa	Glide Speed m/s
APU	100	16	0.5
AR1	100	16	0.5

Media: Mineral oil-based hydraulic fluids.



Since this is a non-standard seal profile no dimensions list is provided. We can custom design this seal to suit any existing housing.